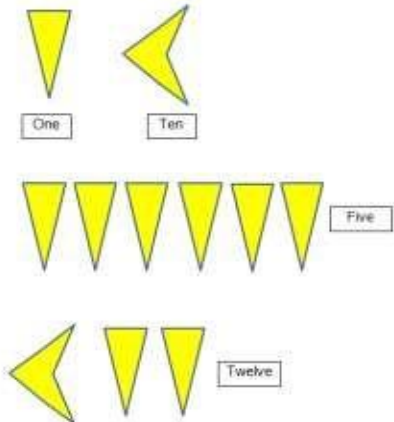



Mathematics - its impact on the world past, present and future

Terms	Definition	Illustrations
<p>Babylonian number system</p>	<p>It used only two numerals or symbols, a one and a ten to represent numbers.</p> <p>The system got trickier with larger numbers and used a base 60 system, rather than our system of base 10.</p>	 <p>The illustrations show four examples of Babylonian numerals. The first is a single inverted yellow triangle labeled 'One'. The second is a single yellow chevron labeled 'Ten'. The third is a row of five inverted yellow triangles labeled 'Five'. The fourth is a yellow chevron followed by two inverted yellow triangles labeled 'Twelve'.</p>
<p>Binary system</p>	<p>A counting system made up of only 0's and 1's.</p> <p>In a binary number each "place" represents a power of 2.</p> <p>Used in electronics and computer systems. Regardless of the type of information represented, it is all stored as bit (binary digit) patterns. In other words everything that is stored on the computer is eventually broken down into its simplest form, which is a pattern of 1s and 0s.</p>	<p> $1 = 2^0 = 1$ $10 = 2^1 = 2$ $100 = 2^2 = 4$ $1000 = 2^3 = 8$ $10000 = 2^4 = 16$ </p>

Mathematics - its impact on the world past, present and future

<p>Decimal number system</p>	<p>The number system we use every day, based on 10 digits (0, 1, 2, 3, 4, 5, 6, 7, 8, 9). It can also be called 'base 10' system. The value a digit represents depends on where its position within a number. This is called place value. Zero is used as a place holder where necessary.</p>	
<p>Egyptian number system</p>	<p>Written symbols and hieroglyphics. There is a symbol for every power of ten and the numbers are written from right to left.</p>	
<p>Famous mathematicians</p>	<p>People who have contributed significantly to society through the creative and intelligent use of mathematics. Famous mathematicians have played a huge part in shaping our world as it stands today.</p>	

Mathematics - its impact on the world past, present and future

<p>Greek number system</p>	<p>The English word alphabet comes from the first two letters, or numbers of the Greek alphabet -- "alpha" and "beta." Greek letters were also used for writing Greek numerals. Originally the system had 27 symbols.</p> <p>The first nine letters (alpha to theta) were used for the numbers 1 to 9. The next nine letters (iota to koppa) were used for multiples of 10 from 10 to 90. Finally, the next nine letters (from rho to sampi) were used for 100 to 900.</p>	 <table border="1" style="margin-left: auto; margin-right: auto;"> <tr><td>1</td><td>α</td><td>10</td><td>λ</td><td>100</td><td>ρ</td></tr> <tr><td>2</td><td>β</td><td>20</td><td>κ</td><td>200</td><td>σ</td></tr> <tr><td>3</td><td>γ</td><td>30</td><td>λ</td><td>300</td><td>τ</td></tr> <tr><td>4</td><td>δ</td><td>40</td><td>μ</td><td>400</td><td>ν</td></tr> <tr><td>5</td><td>ε</td><td>50</td><td>ν</td><td>500</td><td>ϕ</td></tr> <tr><td>6</td><td>ς</td><td>60</td><td>ξ</td><td>600</td><td>χ</td></tr> <tr><td>7</td><td>ζ</td><td>70</td><td>ο</td><td>700</td><td>ψ</td></tr> <tr><td>8</td><td>η</td><td>80</td><td>π</td><td>800</td><td>ω</td></tr> <tr><td>9</td><td>θ</td><td>90</td><td>ϑ</td><td>900</td><td>λ</td></tr> </table>	1	α	10	λ	100	ρ	2	β	20	κ	200	σ	3	γ	30	λ	300	τ	4	δ	40	μ	400	ν	5	ε	50	ν	500	ϕ	6	ς	60	ξ	600	χ	7	ζ	70	ο	700	ψ	8	η	80	π	800	ω	9	θ	90	ϑ	900	λ
1	α	10	λ	100	ρ																																																			
2	β	20	κ	200	σ																																																			
3	γ	30	λ	300	τ																																																			
4	δ	40	μ	400	ν																																																			
5	ε	50	ν	500	ϕ																																																			
6	ς	60	ξ	600	χ																																																			
7	ζ	70	ο	700	ψ																																																			
8	η	80	π	800	ω																																																			
9	θ	90	ϑ	900	λ																																																			
<p>Roman numerals</p>	<p>Roman numerals were used by the Ancient Romans but we still use them sometimes today e.g. can be seen on some analogue clocks or after kings or queen's names e.g. Henry VIII, meaning Henry the 8th.</p>	<table border="1" style="margin-left: auto; margin-right: auto;"> <thead> <tr> <th>Base 10 Number</th> <th>Roman Numeral</th> <th>Base 10 Number</th> <th>Roman Numeral</th> </tr> </thead> <tbody> <tr><td>1</td><td>I</td><td>10</td><td>X</td></tr> <tr><td>2</td><td>II</td><td>20</td><td>XX</td></tr> <tr><td>3</td><td>III</td><td>30</td><td>XXX</td></tr> <tr><td>4</td><td>IV</td><td>40</td><td>XL</td></tr> <tr><td>5</td><td>V</td><td>50</td><td>L</td></tr> <tr><td>6</td><td>VI</td><td>60</td><td>LX</td></tr> <tr><td>7</td><td>VII</td><td>70</td><td>LXX</td></tr> <tr><td>8</td><td>VIII</td><td>80</td><td>LXXX</td></tr> <tr><td>9</td><td>IX</td><td>90</td><td>XC</td></tr> <tr><td>10</td><td>X</td><td>100</td><td>C</td></tr> </tbody> </table>	Base 10 Number	Roman Numeral	Base 10 Number	Roman Numeral	1	I	10	X	2	II	20	XX	3	III	30	XXX	4	IV	40	XL	5	V	50	L	6	VI	60	LX	7	VII	70	LXX	8	VIII	80	LXXX	9	IX	90	XC	10	X	100	C										
Base 10 Number	Roman Numeral	Base 10 Number	Roman Numeral																																																					
1	I	10	X																																																					
2	II	20	XX																																																					
3	III	30	XXX																																																					
4	IV	40	XL																																																					
5	V	50	L																																																					
6	VI	60	LX																																																					
7	VII	70	LXX																																																					
8	VIII	80	LXXX																																																					
9	IX	90	XC																																																					
10	X	100	C																																																					

Mathematics - its impact on the world past, present and future

STEM	The acronym for Science, Technology, Engineering and Mathematics. This term is used to describe related subjects that are studied and to describe jobs and careers in these related fields.	
-------------	---	--